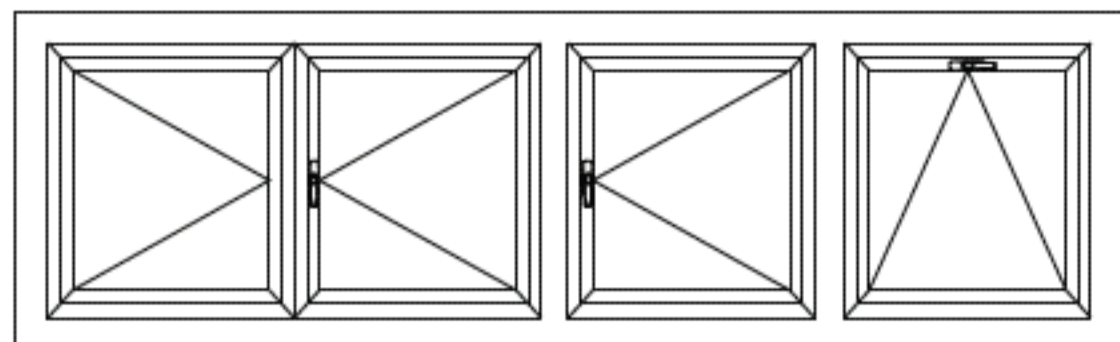
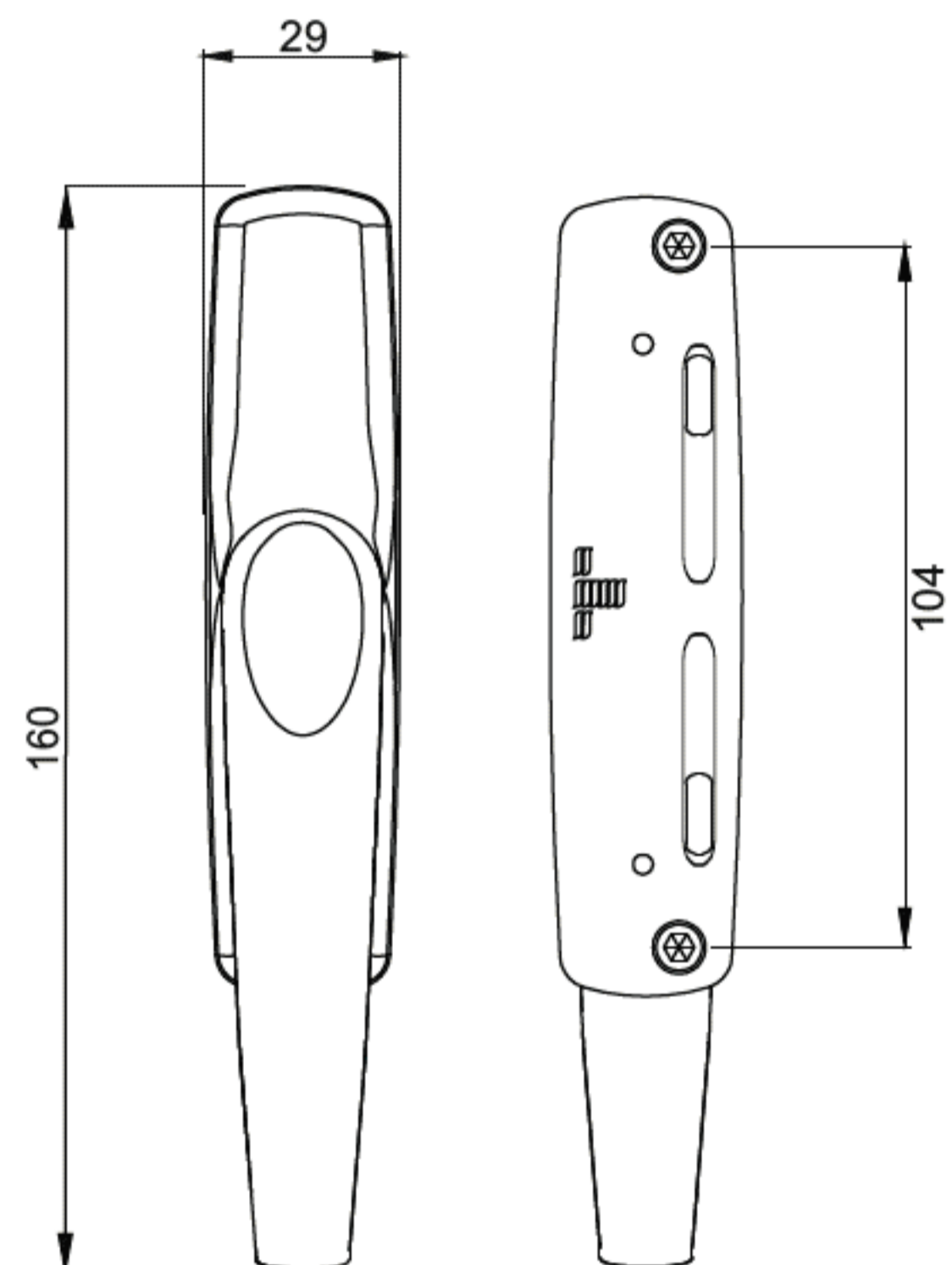
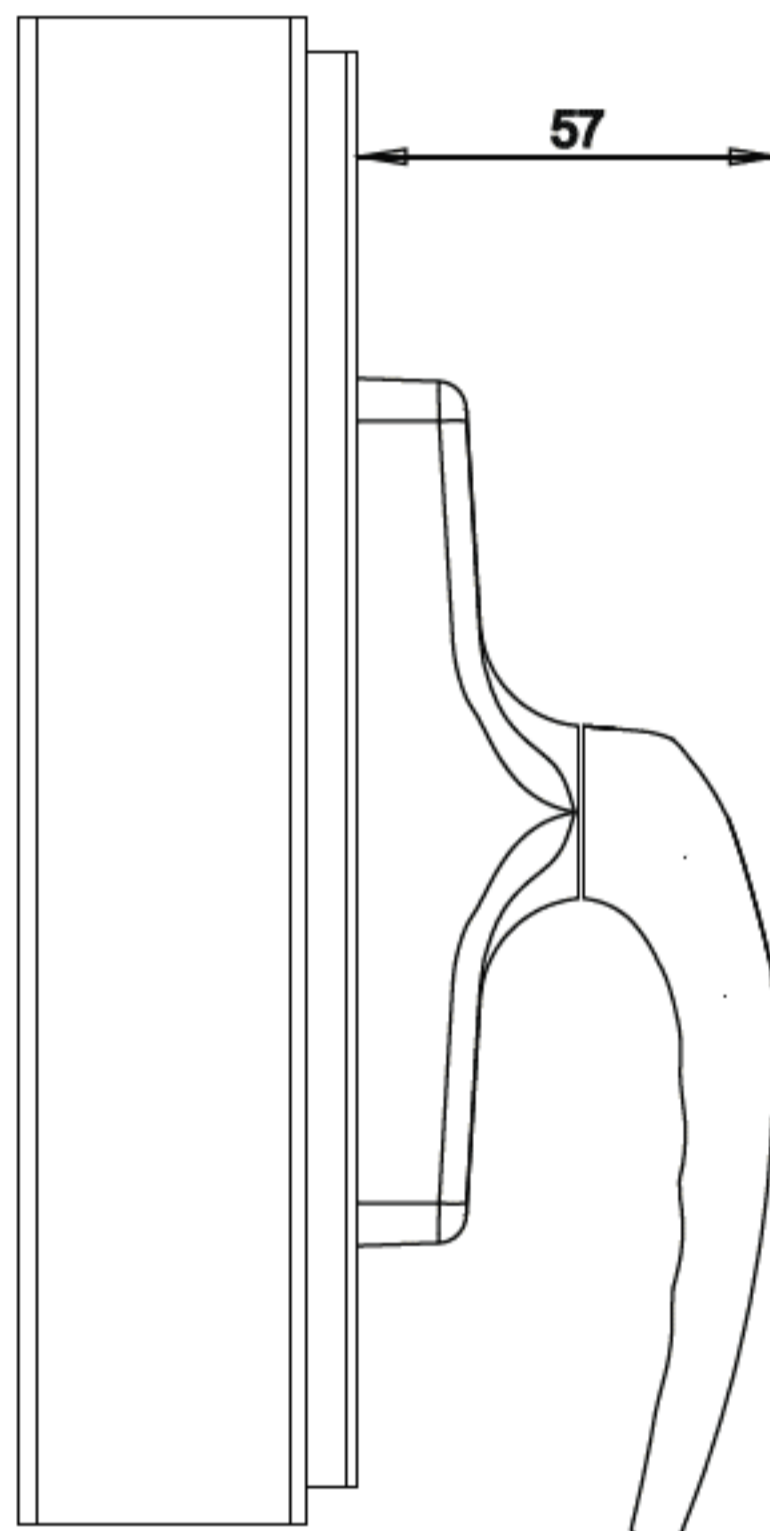
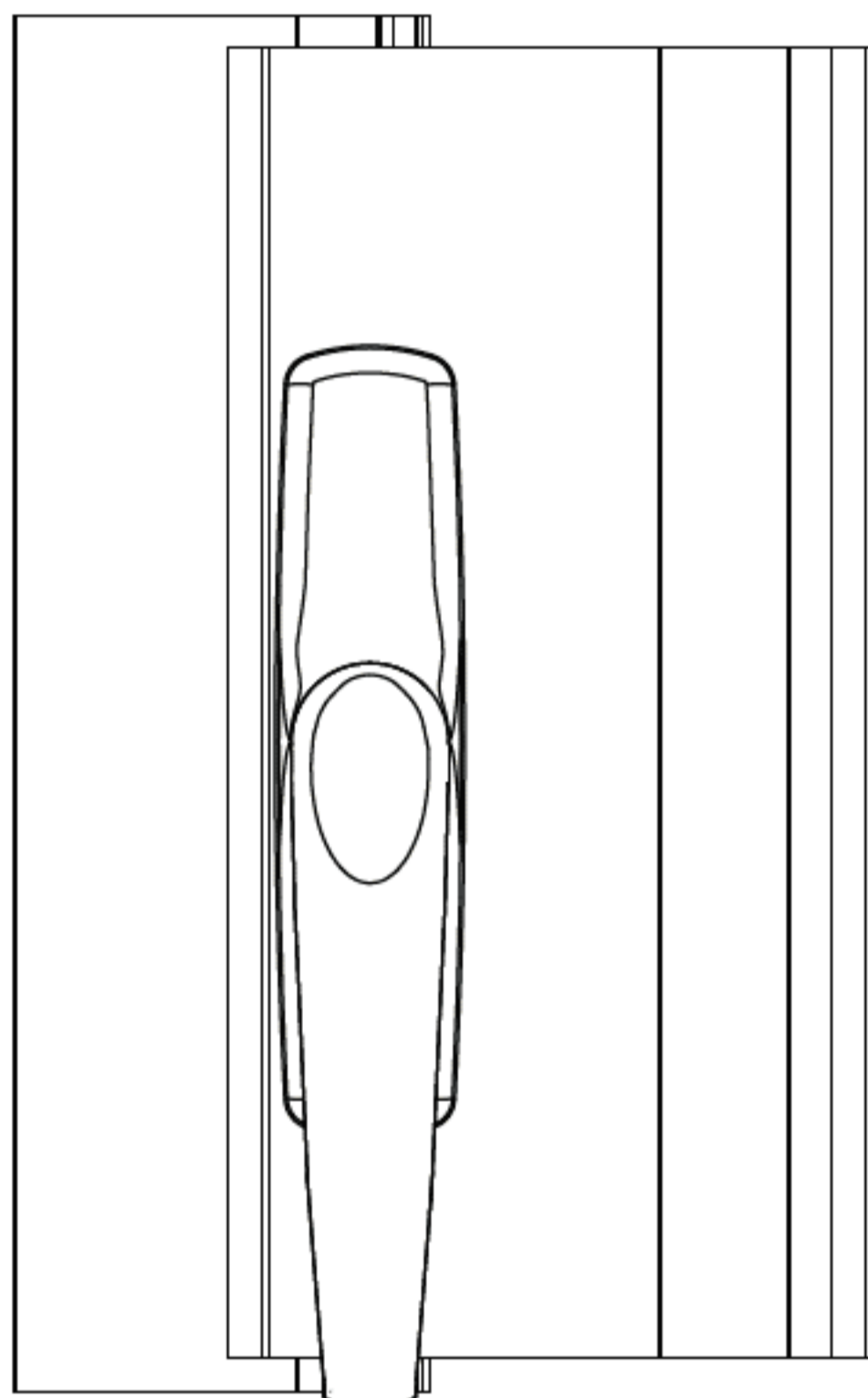


LEONARD JUNIOR



REF.2100

| | |
|--|----------------|
| | AL |
| | Zn |
| | Nylon/ Zn |
| | Steel Acero |
| | 10 Und |



| | |
|---------------------------|--|
| RAL: 9010 | |
| RAL: 9011 | |
| | |
| PLATA SILVER ARGENT | |
| INOX | |

