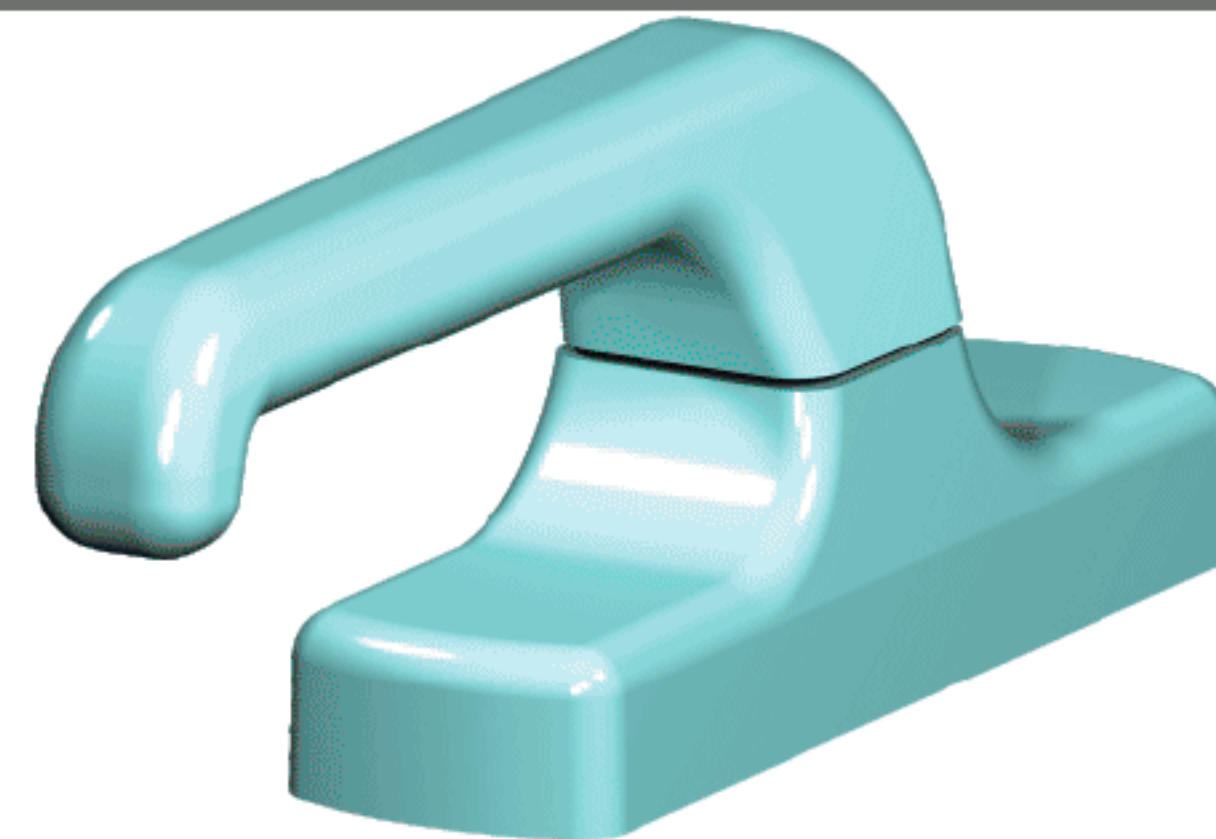
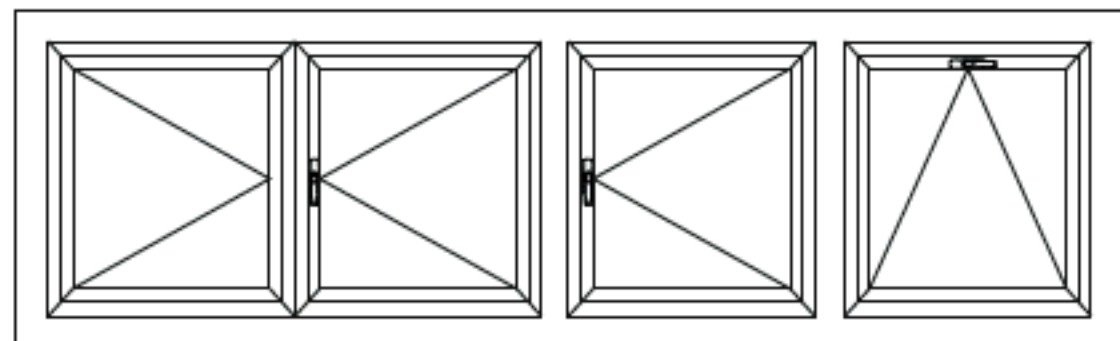
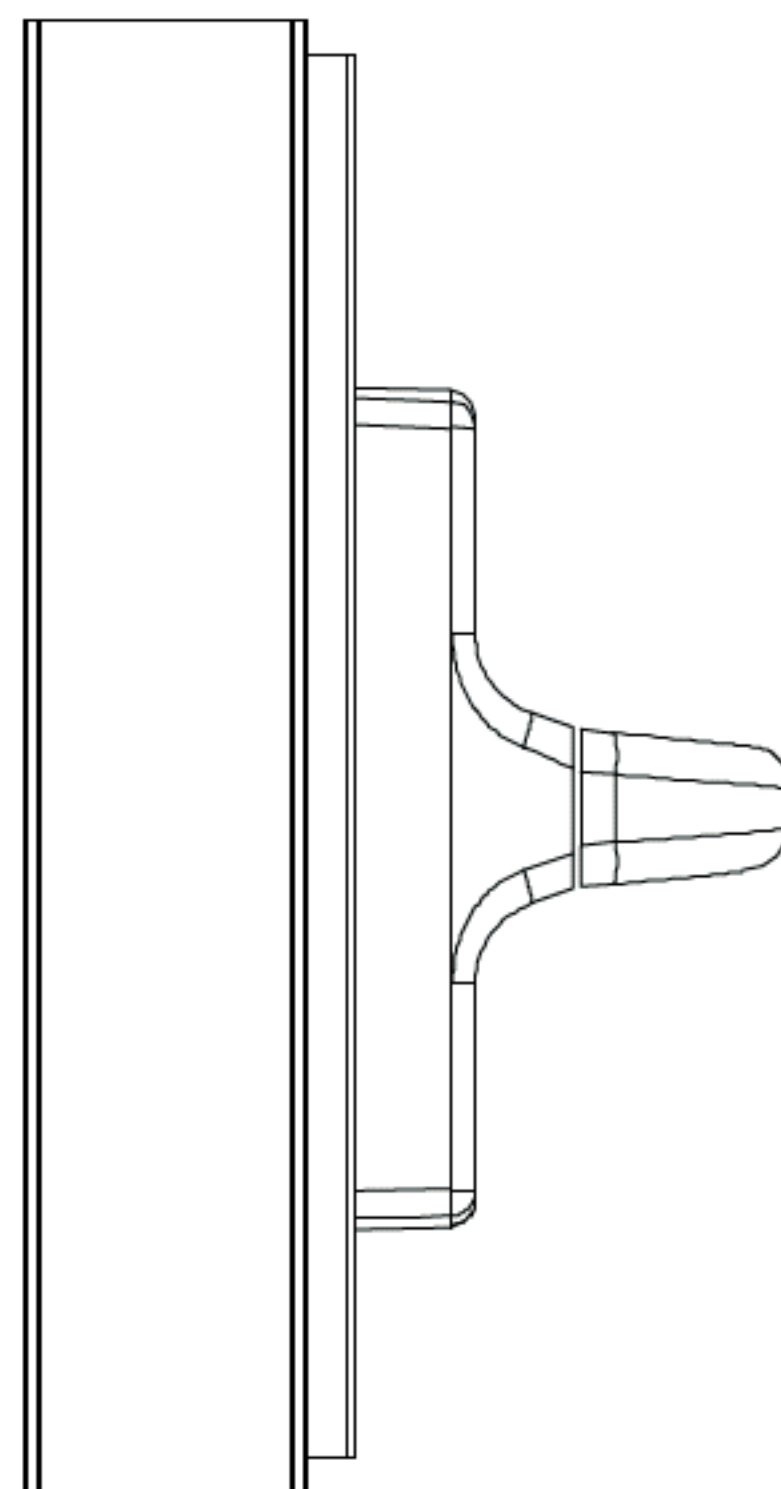
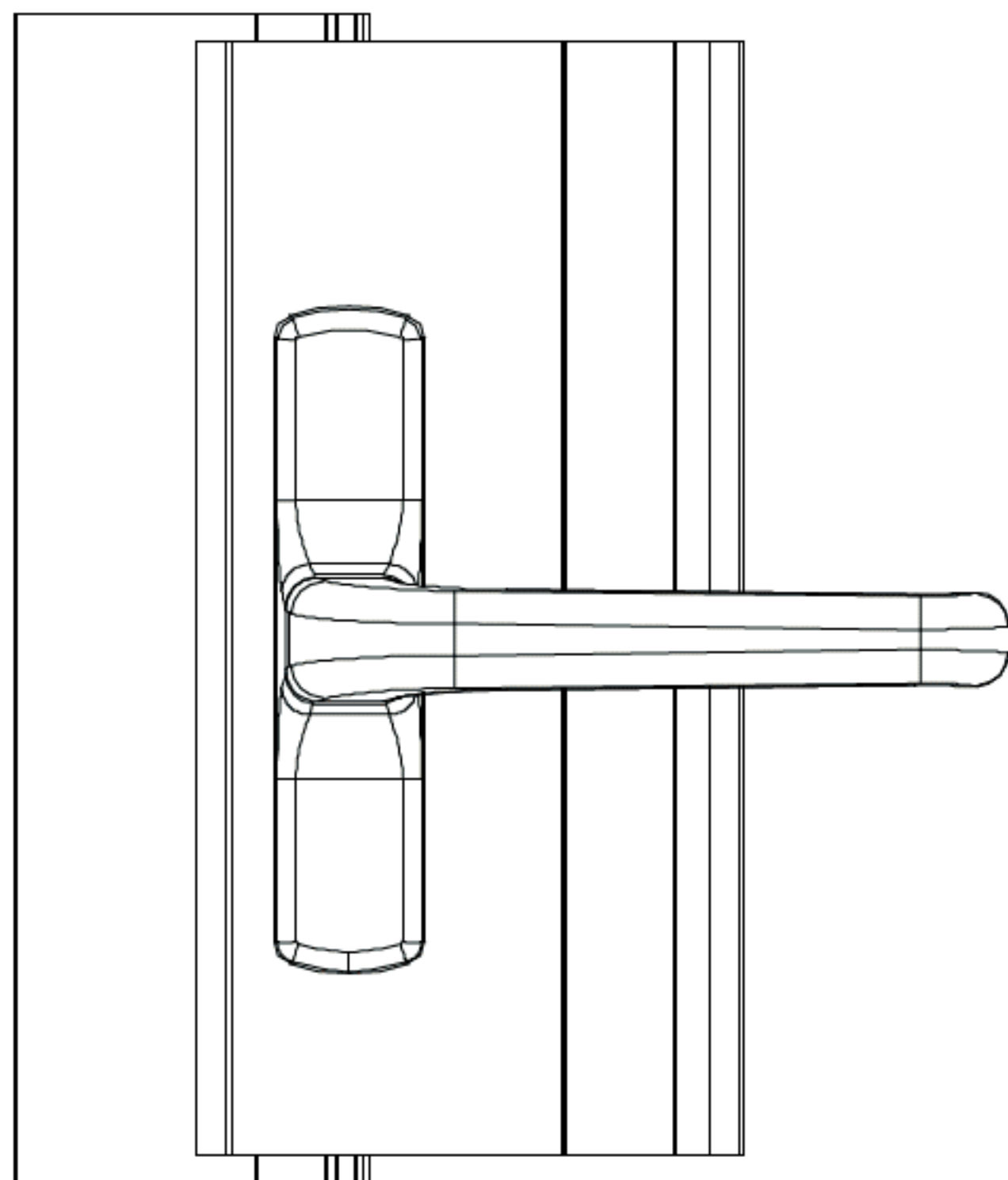


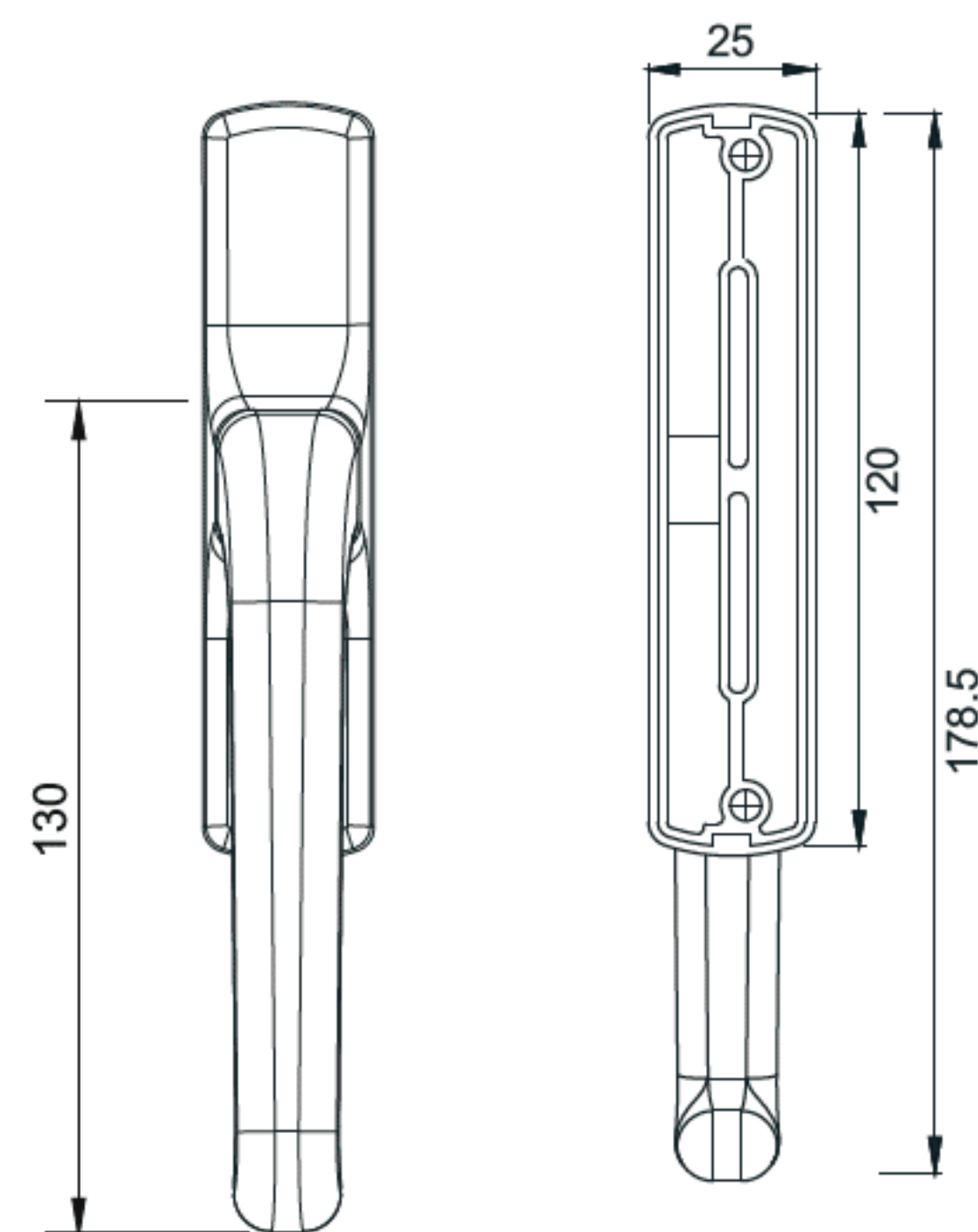
# CELESTE



|  |                |
|--|----------------|
|  | Al             |
|  | Zn             |
|  | Nylon/<br>Zn   |
|  | Steel<br>Acero |
|  | 10 Und         |



REF.2012



|                           |  |
|---------------------------|--|
| RAL:<br>9010              |  |
| RAL:<br>9011              |  |
|                           |  |
| PLATA<br>SILVER<br>ARGENT |  |
| INOX                      |  |

