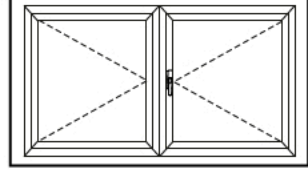
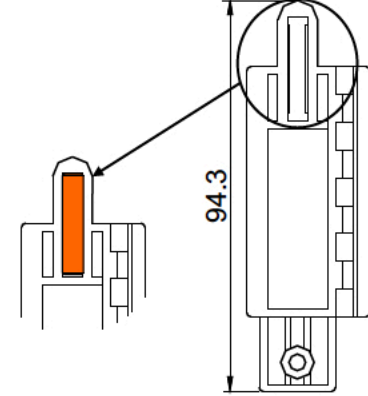
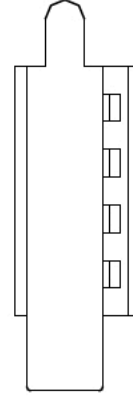
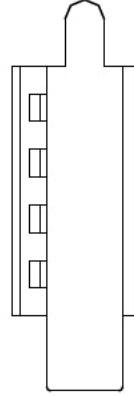
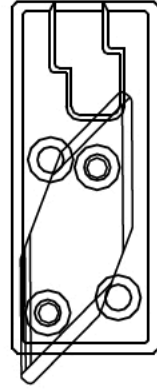
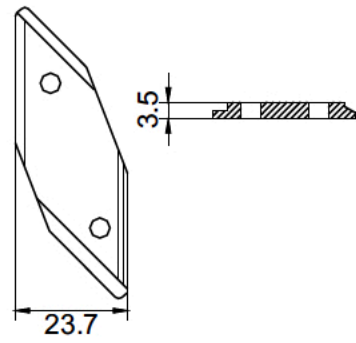


# Ref. 2021

## Kit Doble Hoja C/4000-6000 Ap. Exterior



6.509	
	Nylon
	Acero/ Steel
30.180	
	Acero/ Steel
6.514	
	Nylon
	Zn
	Inox
2.017	
	Nylon
	Zn
	Nylon
	Inox
	100



2.017	
	Nylon
	Zn
	Nylon
	Inox
	100

