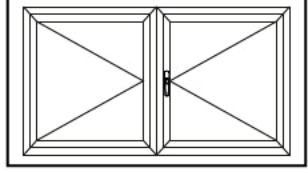
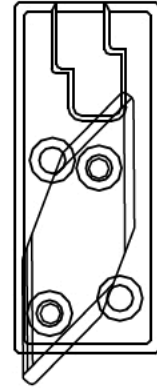
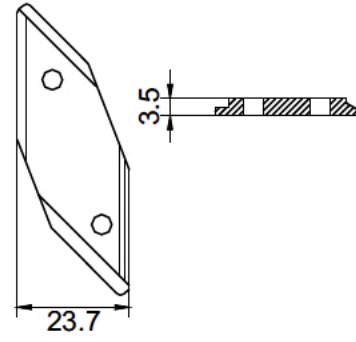


Ref. 2016

Kit Doble Hoja C/4000-6000



6.509	
	Nylon
	Acero/ Steel
6.508	
	Nylon
6.514	
	Nylon
	Zn
	Inox
2.017	
	Nylon
	Zn
	Nylon
	Nylon
	Acero/ Steel
	Inox
	100



6.508	
	Nylon

6.514	
	Nylon

	Zn
--	----

	Inox
--	------

2.017	
-------	--

	Nylon
--	-------

	Zn
--	----

	Nylon
--	-------

	Nylon
--	-------

	Acero/ Steel
--	-----------------

	Inox
--	------

	100
--	-----

